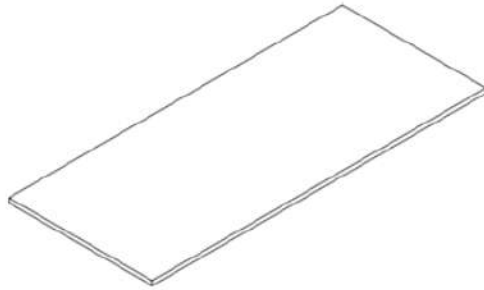
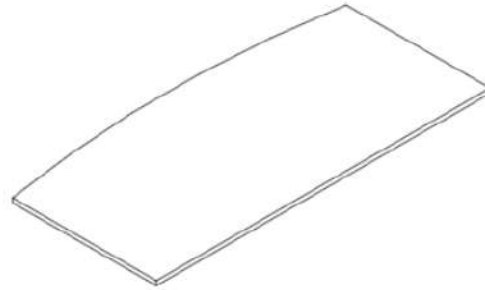


SPECIFICATIONS

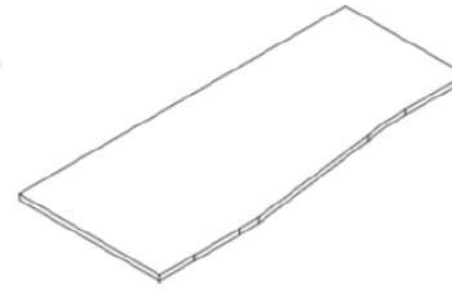
WORKTOP



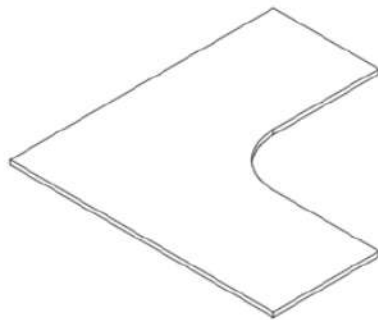
RECTANGULAR



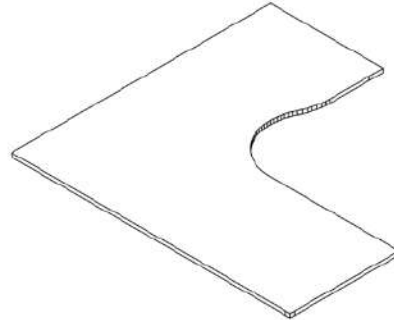
FRONT CURVE SHAPE



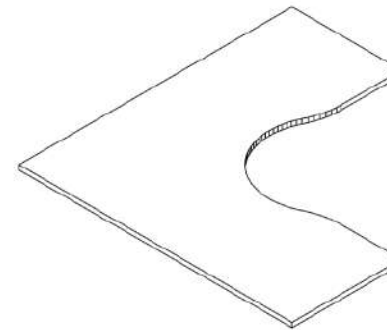
WAVE SHAPE



NORMAL L-SHAPE



1 SIDE ERGO L-SHAPE



2 SIDE ERGO L-SHAPE

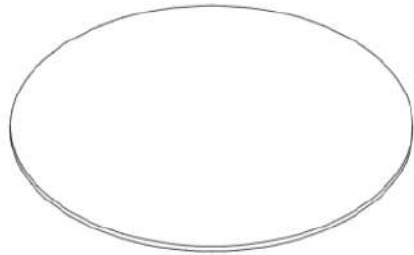


SIDE PANEL

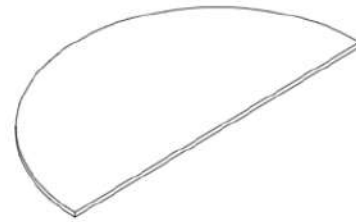


CURVE SIDE PANEL

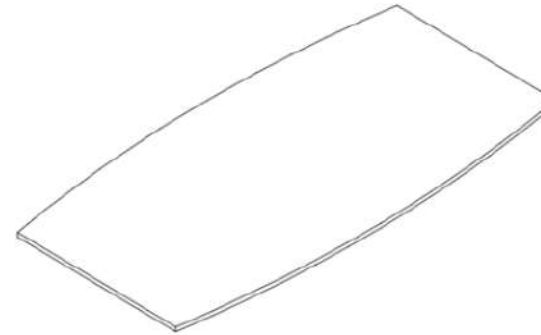
WORKTOP



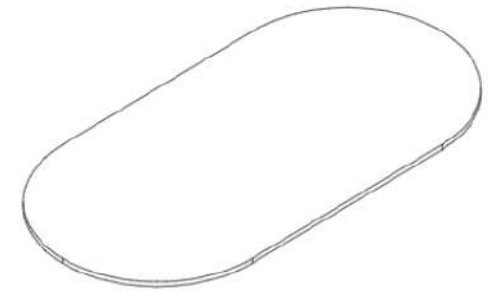
ROUND SHAPE



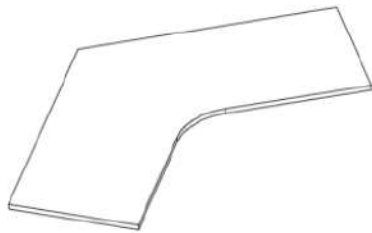
HALF ROUND SHAPE



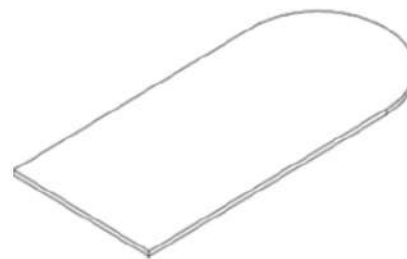
BOAT SHAPE



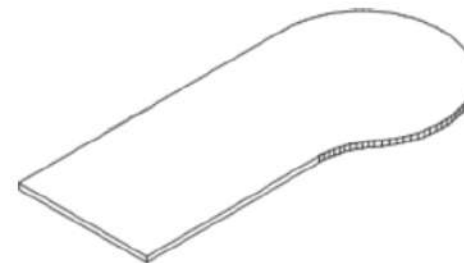
OVAL SHAPE



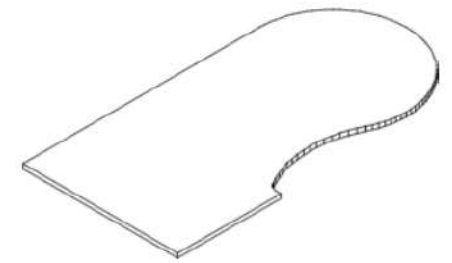
V - SHAPE



PENINSULAR SHAPE



P - SHAPE

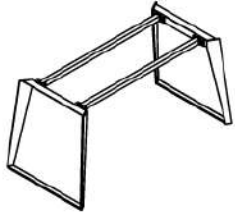


R - SHAPE

SPECIFICATIONS

MAYBACH LEG

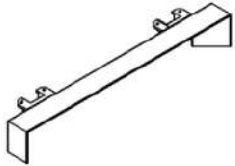
CLUSTER OF 1



CODE LENGTH x WIDTH

MBC1	1575	1500	x	750
MBC1	1875	1800	x	750
MBC1	1890	1800	x	900
MBC1	2190	2100	x	900

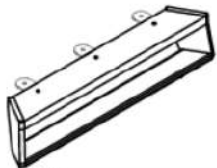
CABINET TOP LEG



CODE LENGTH x HEIGHT

MBCTL	7580	750	x	80
MBCTL	9080	900	x	80

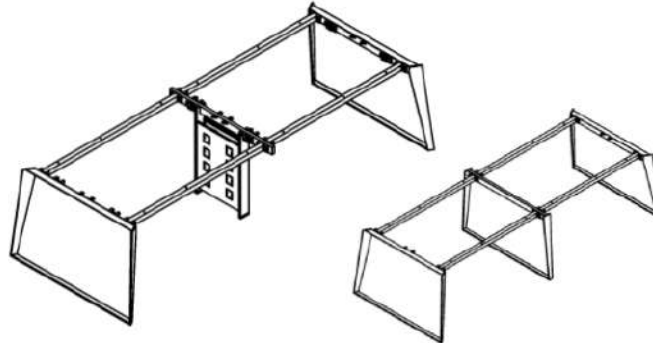
CABINET BASE LEG



CODE LENGTH x HEIGHT

MBCBL	4580	450	x	80
-------	------	-----	---	----

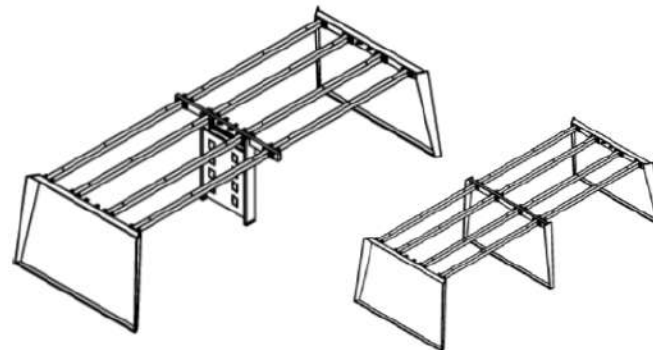
CLUSTER OF 2 & 4



CODE LENGTH x WIDTH

MBC2ML	1575	3000	x	750
MBC2ML	1590	3000	x	900
MBC4ML	1560	3000	x	1200
MBC4CT	1560	3000	x	1200

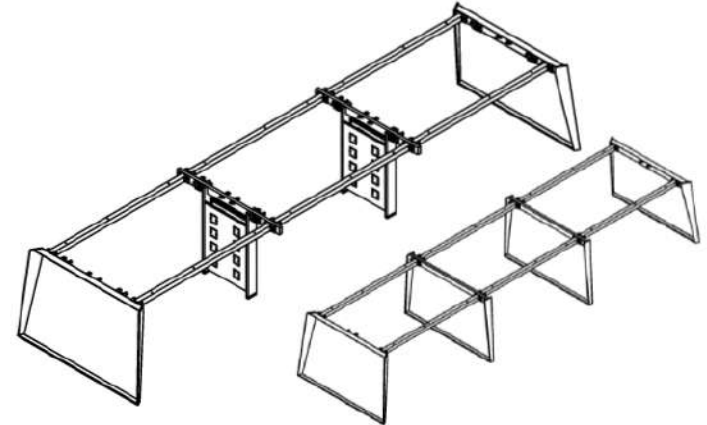
CLUSTER OF 2 & 4



CODE LENGTH x WIDTH

MBC4ML	1575	3000	x	1500
MBC4CT	1575	3000	x	1500

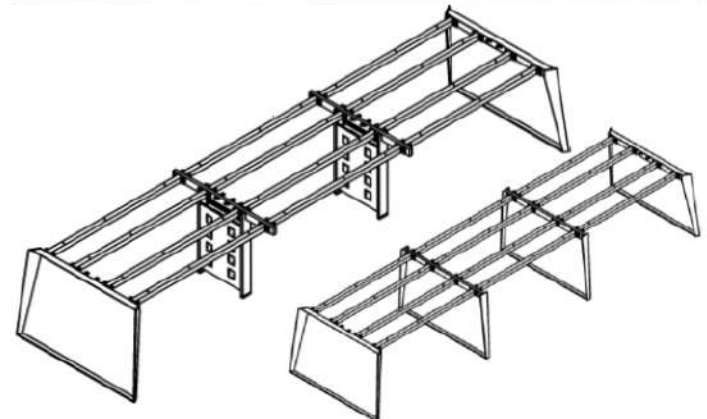
CLUSTER OF 6



CODE LENGTH x WIDTH

MBC3ML	1575	4500	x	750
MBC3ML	1590	4500	x	900
MBC6ML	1560	4500	x	1200
MBC6CT	1560	4500	x	1200

CLUSTER OF 6



CODE LENGTH x WIDTH

MBC6ML	1575	4500	x	1500
MBC6CT	1575	4500	x	1500

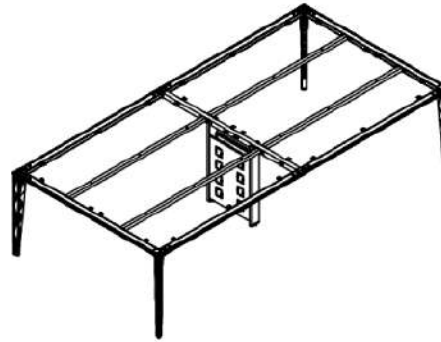
BRILLIANT LEG

CLUSTER OF 1



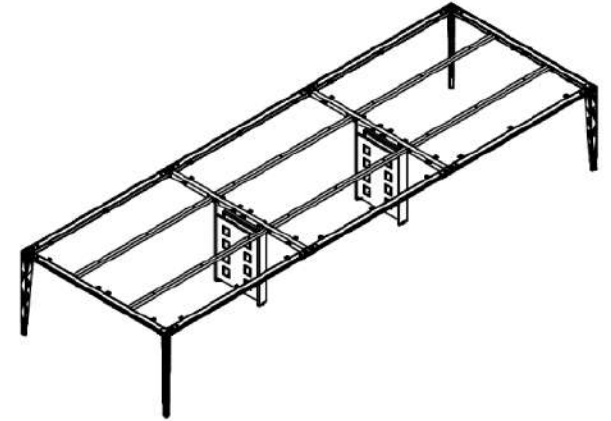
CODE	LENGTH x WIDTH
BRC1 1575	1500 x 750
BRC1 1875	1800 x 750
BRC1 1890	1800 x 900
BRC1 2190	2100 x 900

CLUSTER OF 4



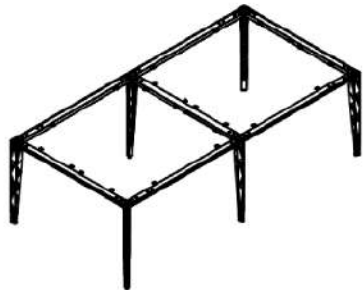
CODE	LENGTH x WIDTH
BRC4 1560	3000 x 1200
BRC4 1575	3000 x 1500

CLUSTER OF 6



CODE	LENGTH x WIDTH
BRC6 1560	4500 x 1200
BRC6 1575	4500 x 1500

MEETING TABLE



CODE	LENGTH x WIDTH
BRML 2412	2400 x 1200

CABINET TOP LEG



CODE	LENGTH x HEIGHT
BRCTL 7580	750 x 80
BRCTL 9080	900 x 80

CABINET BASE LEG

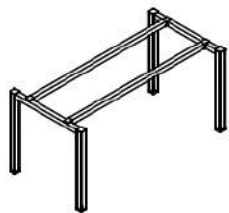


CODE	HEIGHT
BRCBL 80	80

SPECIFICATIONS

URBAN LEG

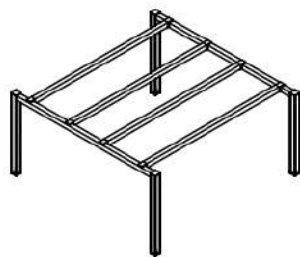
CLUSTER OF 1



CODE	LENGTHxWIDTH
1C1260	1200x600
1C1275	1200x750
1C1560	1500x600
1C1575	1500x750
1C1860	1800x600
1C1875	1800x750
1C1890	1800x900
1C2190	2100x900

CLUSTER OF 2

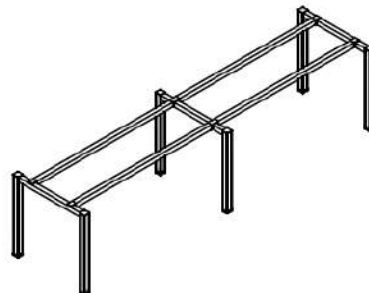
face to face



CODE	LENGTHxWIDTH
2CF1260	1200x1200
2CF1275	1200x1500
2CF1560	1500x1200
2CF1575	1500x1500
2CF1860	1800x1200
2CF1875	1800x1500

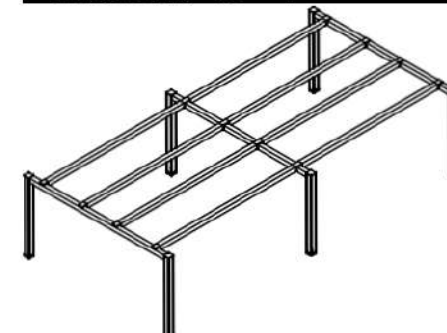
CLUSTER OF 2

side by side



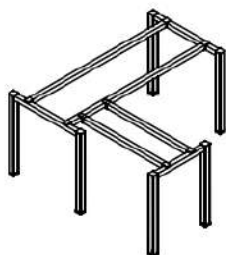
CODE	LENGTHxWIDTH
2CS1260	2400x600
2CS1275	2400x750
2CS1560	3000x600
2CS1575	3000x750
2CS1860	3600x600
2CS1875	3600x750

CLUSTER OF 4



CODE	LENGTHxWIDTH
4CF1260	2400x1200
4CF1275	2400x1500
4CF1560	3000x1200
4CF1575	3000x1500
4CF1860	3600x1200
4CF1875	3600x1500

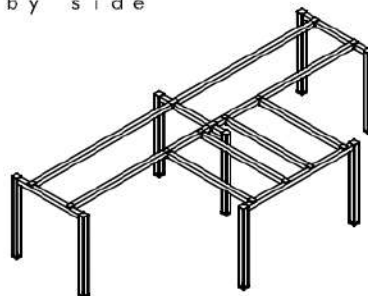
L - SHAPE



CODE	LENGTHxWIDTH
1CR15601560	1500/600x1500/600
1CR15751560	1500/750x1500/600
1CR18601860	1800/600x1800/600
1CR18751860	1800/750x1800/600

CLUSTER OF 2 L - SHAPE

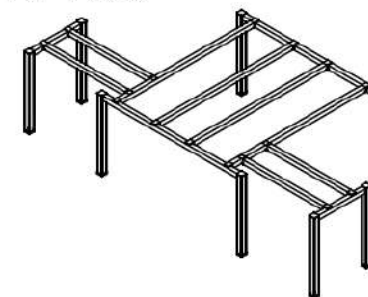
side by side



CODE	LENGTHxWIDTH
2CSR15601560	3000/600x1500/1200
2CSR15751560	3000/600x1500/1500
2CSR18601860	3600/600x1800/1200
2CSR18751860	3600/600x1800/1500

CLUSTER OF 2 L - SHAPE

face to face

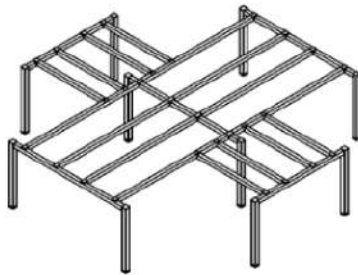


CODE	LENGTHxWIDTH
2CFR15601560	1500/1200x3000/600
2CFR15751560	1500/1500x3000/600
2CFR18601860	1800/1200x3600/600
2CFR18751860	1800/1500x3600/600

URBAN LEG

CLUSTER OF 4 L-SHAPE

Middle side return cabinet



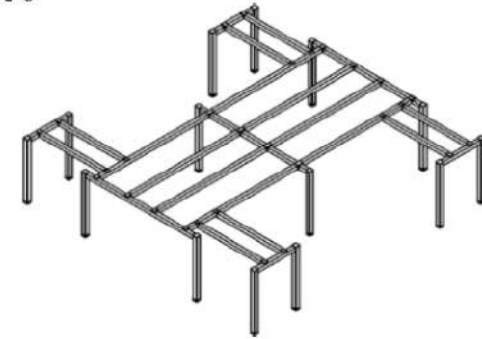
CODE

LENGTHxWIDTH

4CFRM15601560	3000 / 1200 x 3000 / 1200
4CFRM15751560	3000 / 1500 x 3000 / 1200
4CFRM18601860	3600 / 1200 x 3600 / 1200
4CFRM18751860	3600 / 1500 x 3600 / 1200

CLUSTER OF 4 L-SHAPE

Face to Face

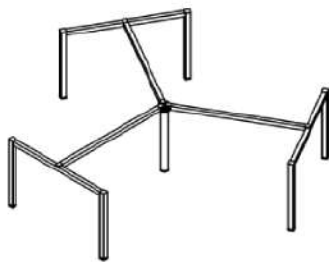


CODE

LENGTHxWIDTH

4CFRS15601560	3000 / 1200 x 3000 / 600
4CFRS15751560	3000 / 1500 x 3000 / 600
4CFRS18601860	3600 / 1200 x 3600 / 600
4CFRS18751860	3600 / 1500 x 3600 / 600

CLUSTER OF 3 V-SHAPE



CODE

LENGTHxWIDTH

3CV12060	2320 x 2680
3CV13560	2545 x 2940

MEETING TABLE LEG



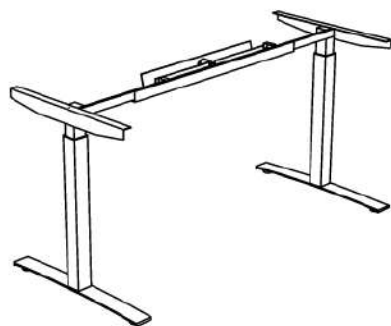
CODE

LENGTHxWIDTH

MTL725	750 x 750
	900 x 900
	1050 x 1050

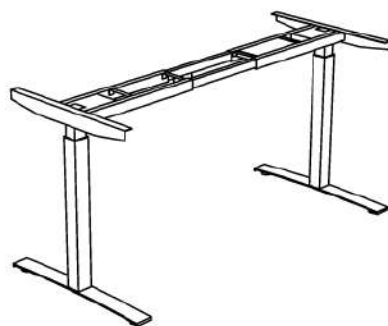
SPECIFICATIONS

TYLER LEG



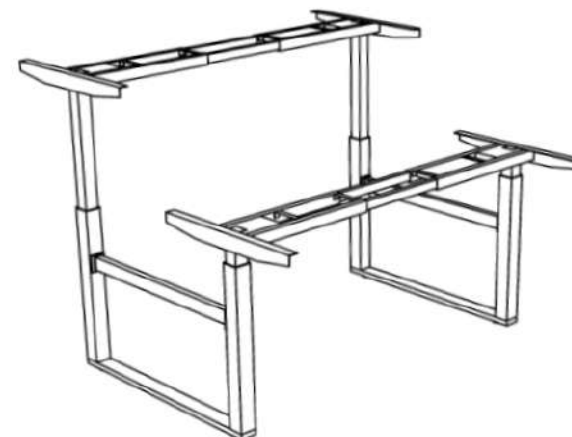
TY-SM-T(I)

Frame Height: min 690 x max 1120
 Table Length: min 1200 x max 1800
 Table Width: min 700 x max 800



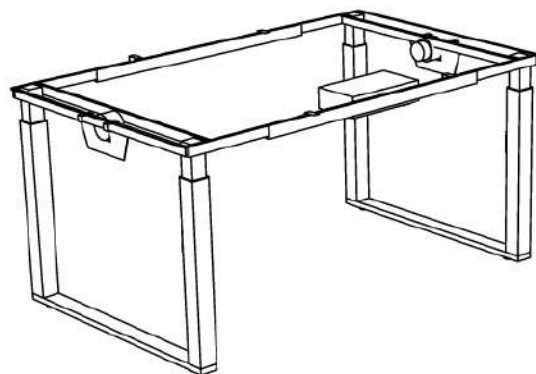
TY-DM-T(I)

Frame Height: min 700 x max 1130
 Table Length: min 1200 x max 1800
 Table Width: min 700 x max 800



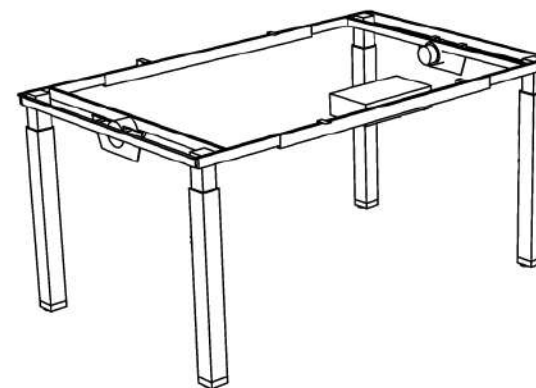
TY-DM-U(C)

Frame Height: min 680 x max 1110
 Table Length: min 1200 x max 1800
 Table Width: min 700 x max 800



TY-DM-U(M)

Frame Height: min 670 x max 1100
 Table Length: min 1500 x max 2100
 Table Width: min 900 x max 1200

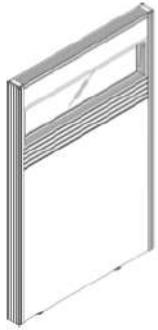


TY-DM-H(M)

Frame Height: min 690 x max 1200
 Table Length: min 1500 x max 2100
 Table Width: min 900 x max 1200

60 mm T OPEN PLAN

HALF GLASS



MID RACEWAY

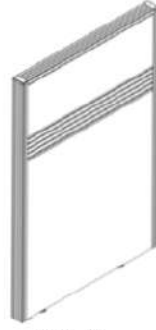


BOTTOM RACEWAY



WITHOUT RACEWAY

FULL FABRIC



MID RACEWAY



BOTTOM RACEWAY



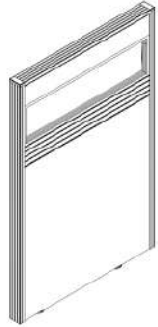
WITHOUT RACEWAY

FULL POLYCARBONATE

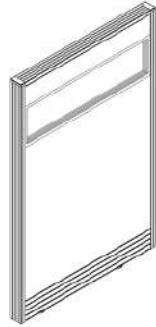


BOTTOM RACEWAY

HALF POLYCARBONATE



MID RACEWAY



BOTTOM RACEWAY



WITHOUT RACEWAY

WIDTH	HEIGHT				
450	1200	1350	1500	1650	1800
600	1200	1350	1500	1650	1800
750	1200	1350	1500	1650	1800
900	1200	1350	1500	1650	1800
1050	1200	1350	1500	1650	1800
1200	1200	1350	1500	1650	1800
1350	1200	1350	1500	1650	1800
1500	1200	1350	1500	1650	1800

WIDTH

450
600
750
900
1050
1200
1350
1500

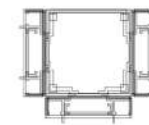
HEIGHT

900	1050	1200	1350	1500	1650	1800
900	1050	1200	1350	1500	1650	1800
900	1050	1200	1350	1500	1650	1800
900	1050	1200	1350	1500	1650	1800
900	1050	1200	1350	1500	1650	1800
900	1050	1200	1350	1500	1650	1800
900	1050	1200	1350	1500	1650	1800
900	1050	1200	1350	1500	1650	1800
900	1050	1200	1350	1500	1650	1800

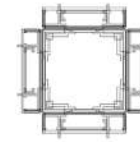
BRACKETORIES



2 WAY POLE



3 WAY POLE



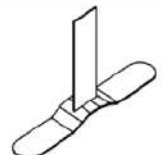
4 WAY POLE



END POLE



WALLSTUD



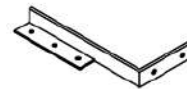
STABILIZER



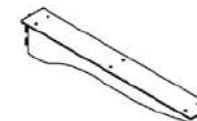
UNIVERSAL BRACKET



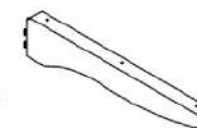
END PANEL BRACKET



COUNTER TOP BRACKET



CANTILEVER BRACKET MIDDLE

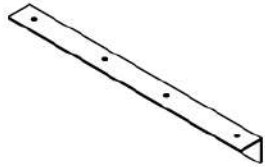


CANTILEVER BRACKET LEFT/RIGHT



OPEN SHELF BRACKET

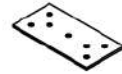
ACCESSORIES



ANGLE BAR



T-BRACKET
for modesty



CONNECTING
PLATE



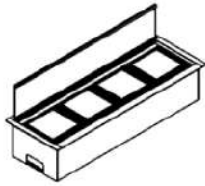
DESKING BRACKET
(DOUBLE)



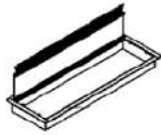
DESKING BRACKET
(SINGLE)



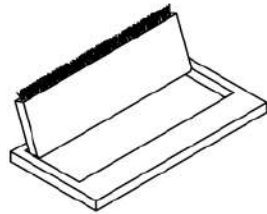
GROMMET CAP



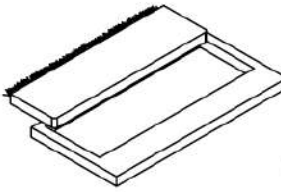
DIY BOX
(411L x 127W)



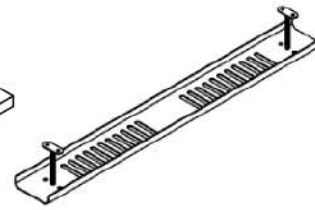
ALUMINIUM
FLIPPER
(350L x 120W)



WOODEN
FLIPPER
(450L x 150W)
110deg



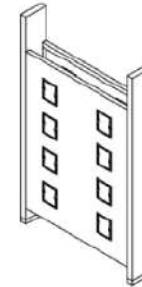
WOODEN
FLIPPER
(450L x 150W)



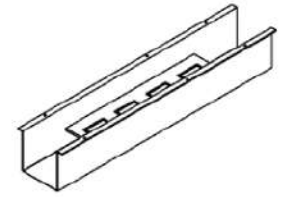
WIRE TRAY
(800L)



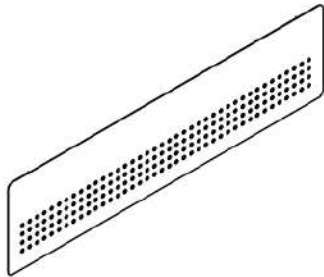
WIRE TRUNKING



CABLE TOWER
(450L x 685H)

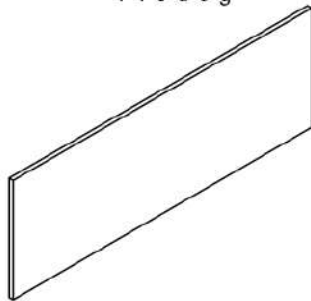


CABLE TRAY
(750L)



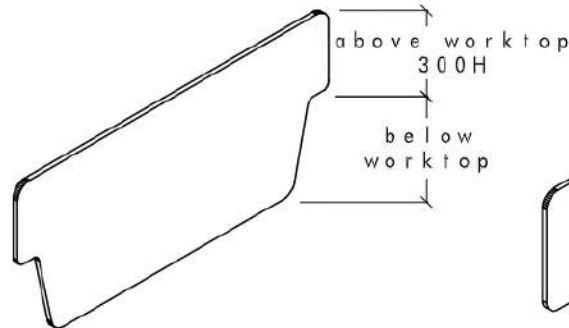
PERFORATED
MODESTY PANEL

PMP100	872 x 418
PMP120	1072 x 418
PMP150	1372 x 418
PMP180	1672 x 418



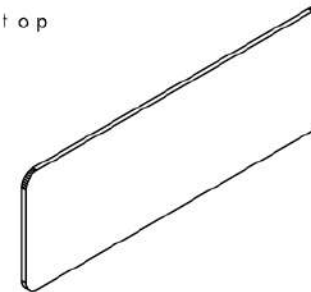
WOODEN MODESTY
PANEL

WMP120	1200 x 450
WMP150	1500 x 450
WMP180	1800 x 450
WMP210	2100 x 450



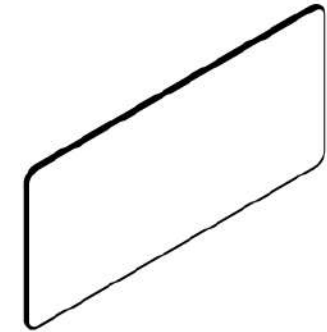
WOODEN DESKING
TYPE 1

FPD1030	1000 x 450
FPD1045	1000 x 600
FPD1075	1000 x 750
FPD1330	1300 x 450
FPD1345	1300 x 600
FPD1375	1300 x 750
FPD1630	1600 x 450
FPD1645	1600 x 600
FPD1675	1600 x 750



WOODEN DESKING
TYPE 2

CBD1030	1000 x 300
CBD1330	1300 x 300
CBD1630	1600 x 300
CBD1045	1000 x 450
CBD1345	1300 x 450
CBD1645	1600 x 450
CBD1060	1000 x 600
CBD1360	1300 x 600
CBD1660	1600 x 600



FABRIC DESKING

FBD1030	1000 x 300
FBD1330	1300 x 300
FBD1630	1600 x 300
FBD1045	1000 x 450
FBD1345	1300 x 450
FBD1645	1600 x 450
FBD1060	1000 x 600
FBD1360	1300 x 600
FBD1660	1600 x 600

PEDESTAL

MOBILE PEDESTAL



CODE **L x W x H**
MP3D 411 x 500 x 550



CODE **L x W x H**
MP1D1F 411 x 500 x 550



CODE **L x W x H**
MP2D1F 411 x 500 x 645



CODE **L x W x H**
MP4D 411 x 500 x 645

STAND PEDESTAL



CODE **L x W x H**
SP2D1F 405 x 495 x 725



CODE **L x W x H**
SP2F 405 x 495 x 725



CODE **L x W x H**
SP4D 411 x 495 x 725

OPTIONAL HANDLE



REVERSE CHAMFERED
(Finger Pull)

SPECIFICATIONS

COMBO CABINET

MOBILE PEDESTAL + CABINET



CODE	L x W x H
MPOP9062	900 x 450 x 662
MPOP1062	1050 x 450 x 662
MPOP1262	1200 x 450 x 662

CODE	L x W x H
MPSW9062	900 x 450 x 662
MPSW1062	1050 x 450 x 662
MPSW1262	1200 x 450 x 662

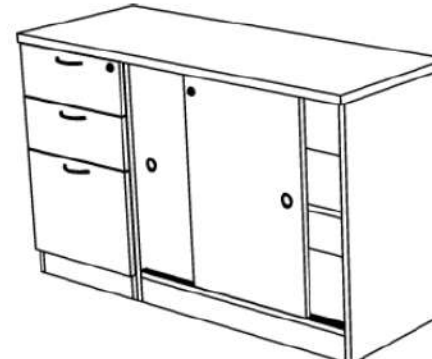
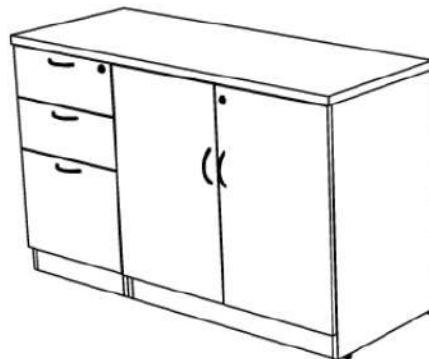
CODE	L x W x H
MPSL1062	1050 x 450 x 662
MPSL1262	1200 x 450 x 662

OPTIONAL HANDLE



REVERSE CHAMFERED
(Finger Pull)

STAND PEDESTAL + CABINET



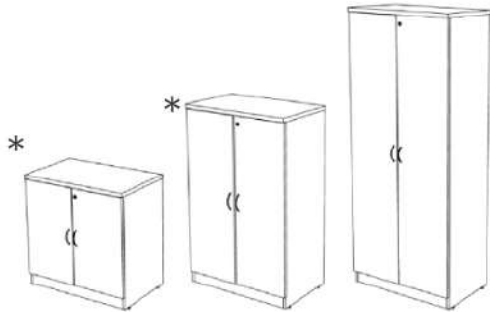
CODE	L x W x H
SPOP9075	900 x 450 x 750
SPOP1075	1050 x 450 x 750
SPOP1275	1200 x 450 x 750

CODE	L x W x H
SPSW9075	900 x 450 x 750
SPSW1075	1050 x 450 x 750
SPSW1275	1200 x 450 x 750

CODE	L x W x H
SPSL1075	1050 x 450 x 750
SPSL1275	1200 x 450 x 750

CABINET

SWING DOOR CABINET



CODE	L x W x H
SWDC 6075	600 x 450 x 750
SWDC 7575	750 x 450 x 750
SWDC 9075	900 x 450 x 750
SWDC 1075	1050 x 450 x 750
SWDC 1275	1200 x 450 x 750
SWDC 7590	750 x 450 x 900
SWDC 9090	900 x 450 x 900
SWDC 1090	1050 x 450 x 900
SWDC 1290	1200 x 450 x 900
SWDC 7512	750 x 450 x 1200
SWDC 9012	900 x 450 x 1200
SWDC 1012	1050 x 450 x 1200
SWDC 1212	1200 x 450 x 1200
SWDC 7518	750 x 450 x 1800
SWDC 9018	900 x 450 x 1800
SWDC 1018	1050 x 450 x 1800
SWDC 1218	1200 x 450 x 1800
SWDC 7521	750 x 450 x 2100
SWDC 9021	900 x 450 x 2100
SWDC 1021	1050 x 450 x 2100
SWDC 1221	1200 x 450 x 2100

SLIDING DOOR CABINET



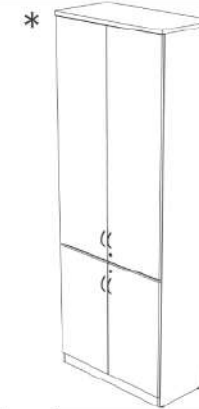
CODE	L x W x H
SLDC 6075	600 x 450 x 750
SLDC 7575	750 x 450 x 750
SLDC 9075	900 x 450 x 750
SLDC 1075	1050 x 450 x 750
SLDC 1275	1200 x 450 x 750
SLDC 7590	750 x 450 x 900
SLDC 9090	900 x 450 x 900
SLDC 1090	1050 x 450 x 900
SLDC 1290	1200 x 450 x 900
SLDC 7512	750 x 450 x 1200
SLDC 9012	900 x 450 x 1200
SLDC 1012	1050 x 450 x 1200
SLDC 1212	1200 x 450 x 1200

OPTIONAL HANDLE*



REVERSE CHAMFERED
(Finger Pull)

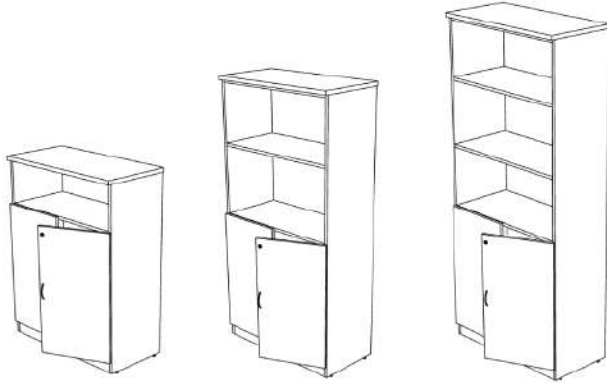
2-TIER SWING DOOR CABINET



CODE	L x W x H
2TSW 7518	750 x 450 x 1800
2TSW 9018	900 x 450 x 1800
2TSW 1018	1050 x 450 x 1800
2TSW 1218	1200 x 450 x 1800
2TSW 7521	750 x 450 x 2100
2TSW 9021	900 x 450 x 2100
2TSW 1021	1050 x 450 x 2100
2TSW 1221	1200 x 450 x 2100
2TSW 7524	750 x 450 x 2400
2TSW 9024	900 x 450 x 2400
2TSW 1024	1050 x 450 x 2400
2TSW 1224	1200 x 450 x 2400

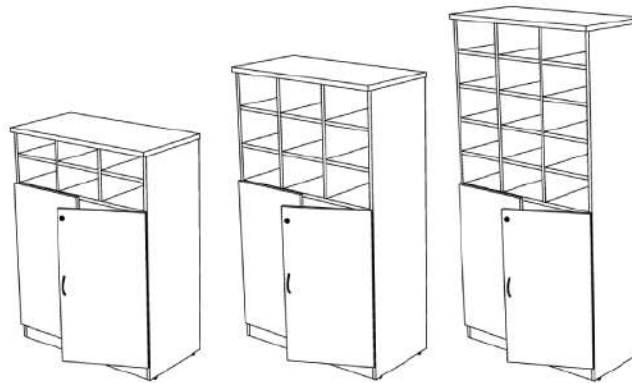
CABINET

SWING DOOR CABINET+OPEN SHELVES



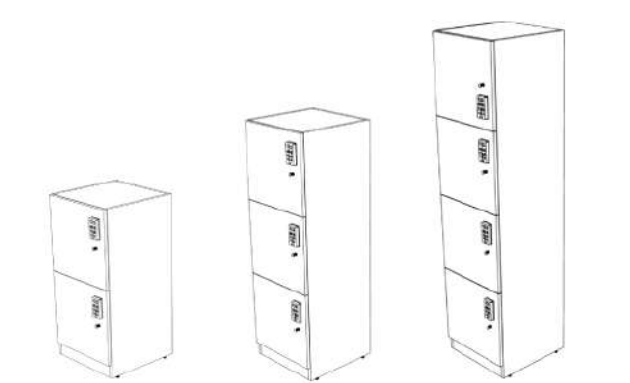
CODE	L	x	W	x	H
SWOP 7512	750	x	450	x	1200
SWOP 9012	900	x	450	x	1200
SWOP 1012	1050	x	450	x	1200
SWOP 1212	1200	x	450	x	1200
SWOP 7518	750	x	450	x	1800
SWOP 9018	900	x	450	x	1800
SWOP 1018	1050	x	450	x	1800
SWOP 1218	1200	x	450	x	1800
SWOP 7521	750	x	450	x	2100
SWOP 9021	900	x	450	x	2100
SWOP 1021	1050	x	450	x	2100
SWOP 1221	1200	x	450	x	2100

SWING DOOR CABINET+PIGEON HOLE



CODE	L	x	W	x	H
3 column					
SWPH 7512	750	x	450	x	1200
SWPH 9012	900	x	450	x	1200
SWPH 7515	750	x	450	x	1500
SWPH 9015	900	x	450	x	1500
SWPH 7518	750	x	450	x	1800
SWPH 9018	900	x	450	x	1800
4 column					
SWPH 1012	1050	x	450	x	1200
SWPH 1212	1200	x	450	x	1200
SWPH 1015	1050	x	450	x	1500
SWPH 1215	1200	x	450	x	1500
SWPH 1018	1050	x	450	x	1800
SWPH 1218	1200	x	450	x	1800

LOCKER



CODE	L	x	W	x	H
2 door					
2DLC 4594	450	x	450	x	946
3 door					
3DLC 4513	450	x	450	x	1373
4 door					
4DLC 4517	450	x	450	x	1800

OPTIONAL LOCKSET



LOCK FEATURES:
 - Interchangeable Core System
 - Master Key
 - Key Alike

(Applicable for all cabinet & pedestal)